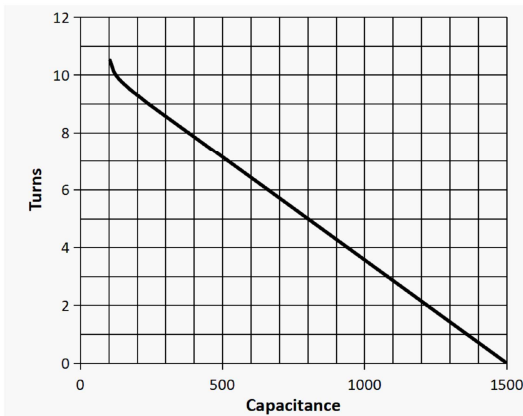
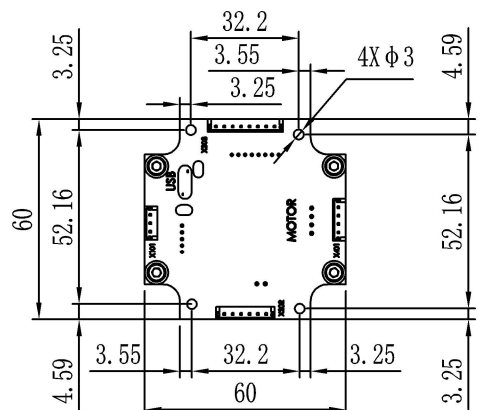
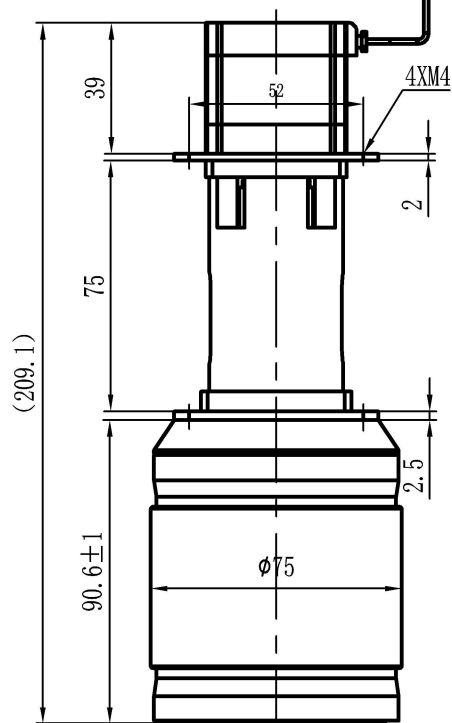
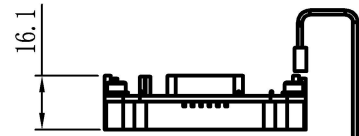
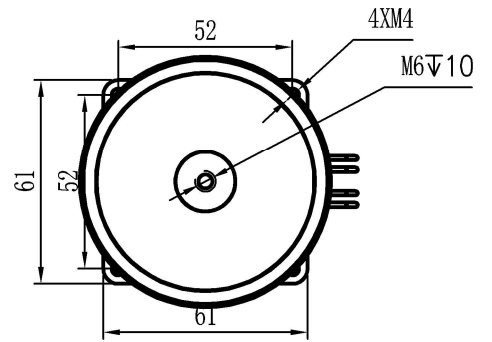


Data-Sheet-Motorized Vacuum Capacitor YL75-9-1500M

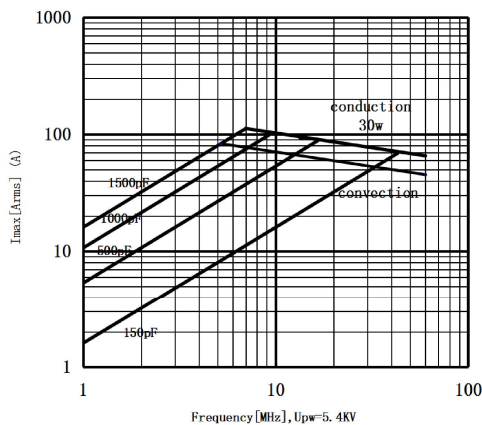


www.glvac.com

Specification	
Capacity C_{max} (nominal)	1500pF
Capacity C_{min} (nominal)	150pF
Voltage (Peak Test U_{pt} /Peak Working U_{pw})	9kVp/5.4kVp
Capacity tolerance (linear Range)	$\pm 1\%$
Max. Current I_{max} at 13.56MHz with	95Arms
Conduction Cooling	30W
Self Inductance	$\leq 8nH$
Capacitance per 100 steps	70pF
Net Weight	1.7kg
Ground to variable end capacitance	$\leq 5pF$



I_{max} at 25 °C ambient and 125 °C surface for convection and conduction (30w) cooling



UNLESS OTHERWISE SPECIFIED:

$\leq 30: \pm 0.5$ $30 \sim 400: \pm 1.2$ $\geq 400: \pm 2.5$ $\angle \pm 1^\circ$

Address: ST28 Xihu Road, Kunshan, Jiangsu Province, China
TEL: +86 (512) 36872110

Rev:00

Web: www.glvac.com
FAX: +86 (512) 36872122

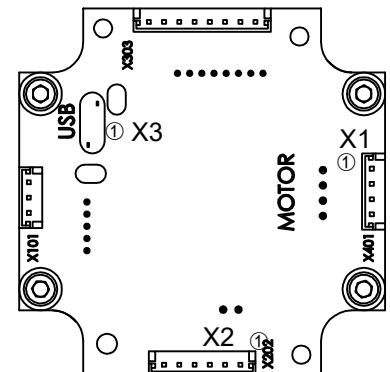
Page 1/3 Issue: 18-Jun-2022

E-mail: e-sales@glvac.cn
Zip Code: 215333

Data-Sheet-Motorized Vacuum Capacitor
YL75-9-1500M



Drive Specification	
Tuning speed (end to end)	< 3s
Backlash	≤ 2
Operation mode	Bipolar
Nr.of phases	2
Rated phase current(RMS)	1.5A
Supply voltage(DC)	24V
Full step angle	1.8°
Motor frame size	42mm



X1 Motor			
Pin1	OB2	Blue	B-
Pin2	OB1	Red	B
Pin3	OA2	Green	A-
Pin4	OA1	Black	A

X2 Power and Communication	
Pin1	0V(GND)
Pin2	9V—30V(VDD)
Pin3	
Pin4	
Pin5	RS232_TXD
Pin6	RS232_RXD

X3 Mini-USB			
Pin1	VBUS	Power	5V
Pin2	D-	Bidirection	USB Data -
Pin3	D+	Bidirection	USB Data+
Pin4	ID	Power(GND)	Connected to signal and system ground
Pin5	GND	Power(GND)	Connected to signal and system ground

X4 is not used

UNLESS OTHERWISE SPECIFIED:

≤30:±0.5 30~400:±1.2 ≥400:±2.5 ∠±1°

Rev:00

Page 3/3 Issue: 18-Jun-2022

Address: ST28 Xihu Road, Kunshan, Jiangsu Province, China
TEL: +86 (512) 36872110

Web: www.glvac.com
FAX: +86 (512) 36872122

E-mail: e-sales@glvac.cn
Zip Code: 215333