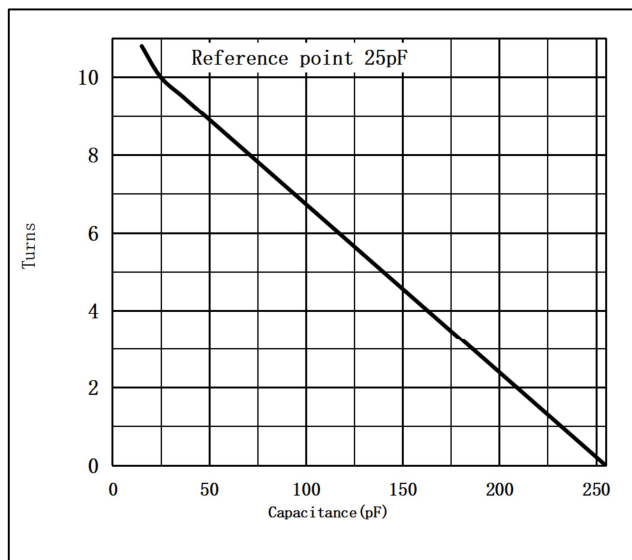
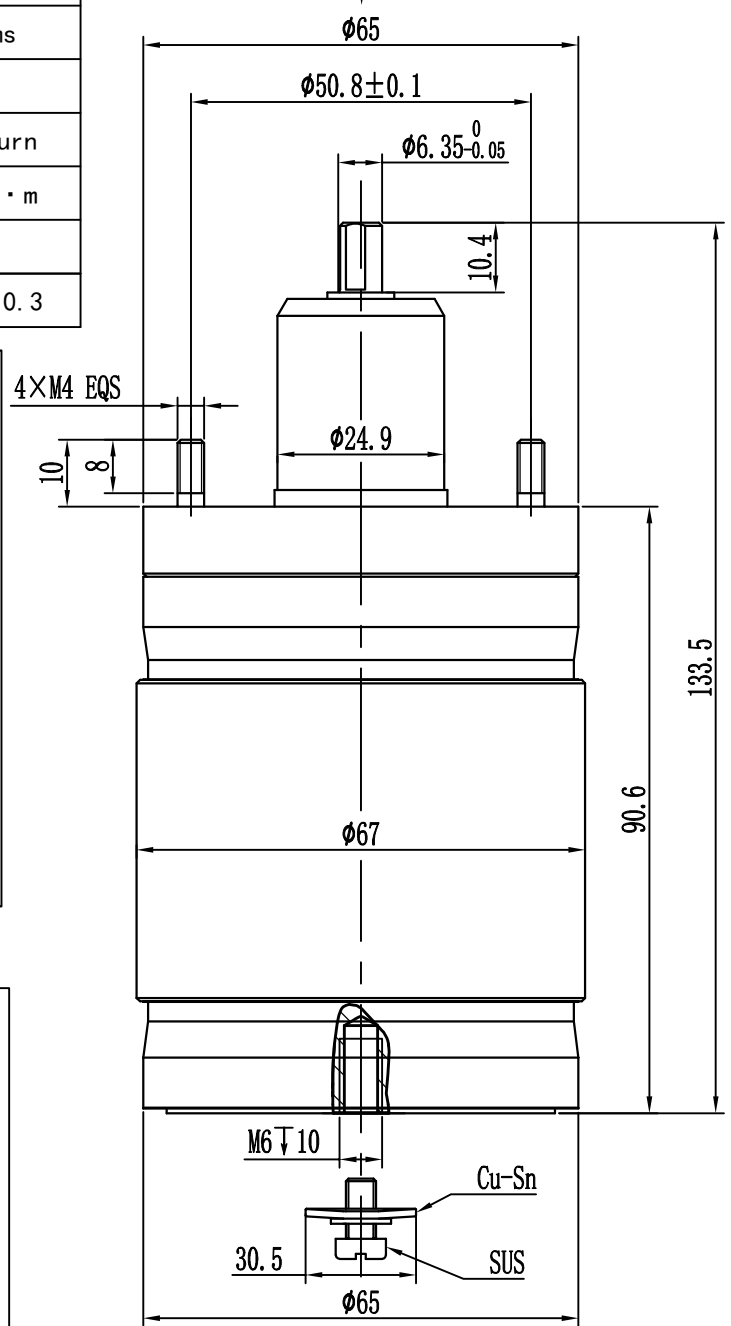
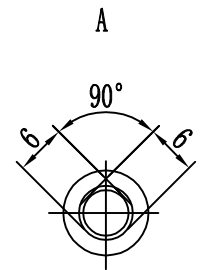


Data-Sheet-Motorized Vacuum Capacitor YL67D-15-250TC

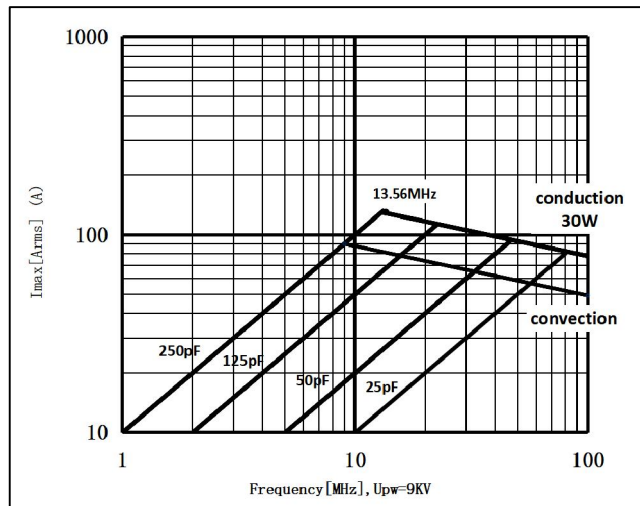


www.glvac.com

Specification	
Capacity C_{max} (nominal)	250pF
Capacity C_{min} (nominal)	25pF
Voltage (Peak Test U_{pt} /Peak Working U_{pw})	15kVp/9kVp
Capacity tolerance (linear Range)	$\pm 5\%$
Max. Current I_{max} at 13.56MHz with	130Arms
Conduction Cooling	30W
Capacitance per turn	23pF/turn
Torque	$\leq 0.2N \cdot m$
Net Weight	1kg
Turns	10.5 ± 0.3



I_{max} at 25 °C ambient and 125 °C surface for convection and conduction (30w) cooling



1. This capacitor will be rhodium plating.
2. This capacitor will use laser marking and without GL logo/Made in China.

UNLESS OTHERWISE SPECIFIED:

$\leq 30: \pm 0.5$ $30 \sim 400: \pm 1.2$ $\geq 400: \pm 2.5$ $\angle \pm 1^\circ$

Address: ST28 Xihu Road, Kunshan, Jiangsu Province, China
TEL: +86 (512) 36872110

Rev:00

Web: www.glvac.com
FAX: +86 (512) 36872122

Page 1/1 Issue: 24-Aug-2023

E-mail: e-sales@glvac.cn
Zip Code: 215333