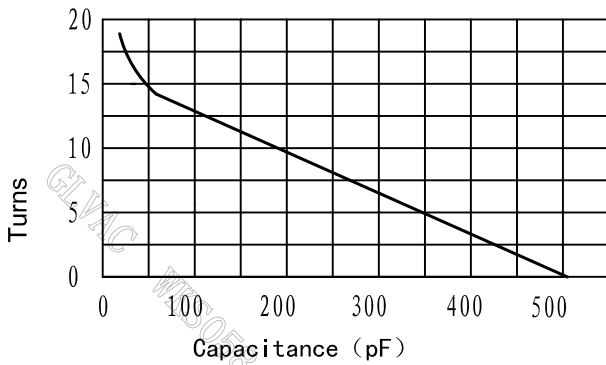
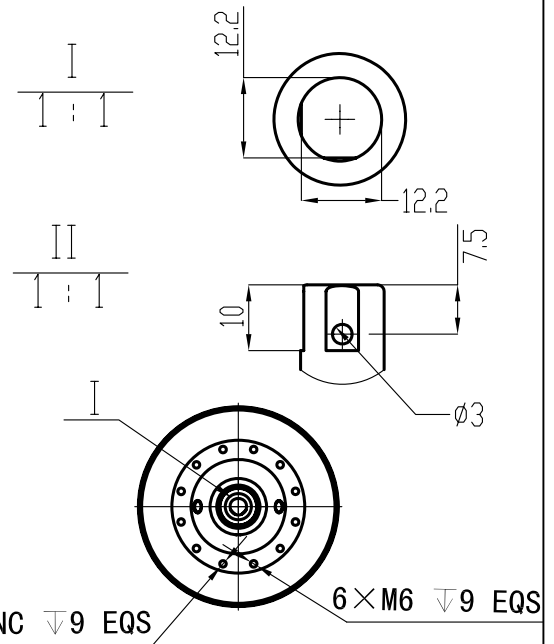


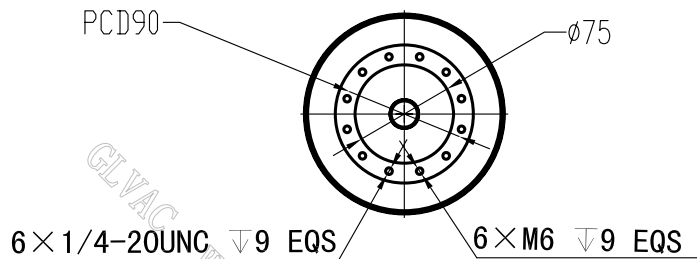
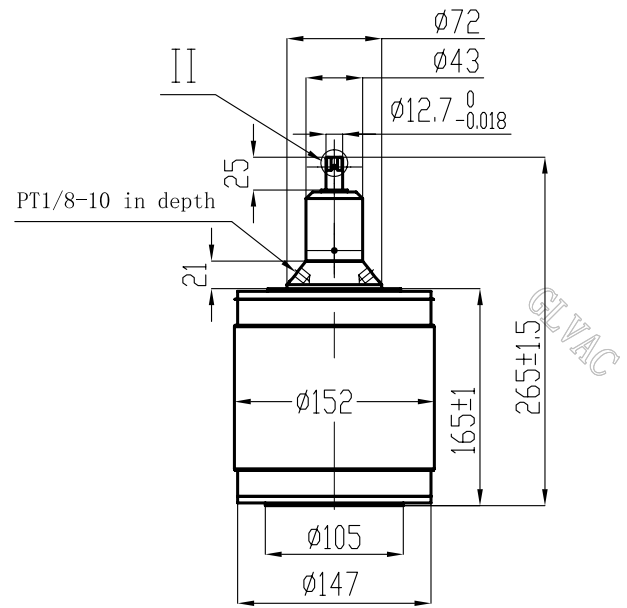
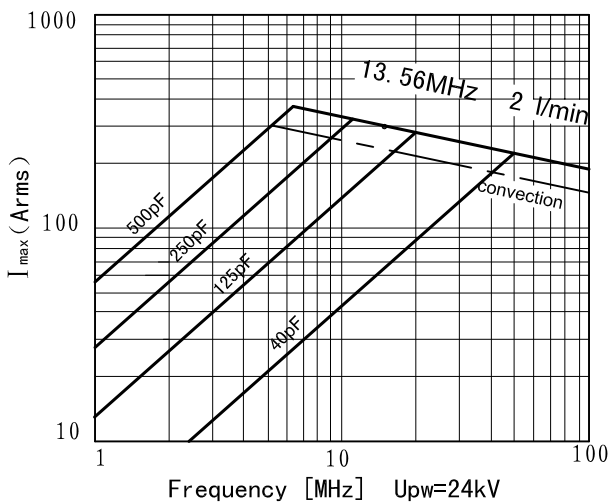
Data-Sheet-Variable Vacuum Capacitor CKTBS500/24/300



Specification	
Capacity C_{max} (nominal)	500pF
Capacity C_{min} (nominal)	40pF
Voltage (Peak Test U_{pt} /Peak Working U_{pw})	40KV/24KV
Capacitance per turn	30.7 ± 1.5 pF/T
Max. Current I_{max} at 13.56MHz with	300Arms
Water Cooling	2 L/min
Total Length	265 ± 1.5 mm
Torque	≤ 0.9 N·m
Net Weight	7.5Kg



I_{max} for 2 L/min water cooling ;
Permissible surface temperature :125°C ;
Capacitor both-end full-face collection.



UNLESS OTHERWISE SPECIFIED:

$\leq 30: \pm 0.5$ $30 \sim 400: \pm 1.2$ $\geq 400: \pm 2.5$ $\angle \pm 1^\circ$

Address: ST28 Xihu Road, Kunshan, Jiangsu Province, China
TEL: +86 (512) 36872110

Web: www.glvac.com
FAX: +86 (512) 36872122

Rev:01 Page: 1/1 Issue: 06-Mar-2020

E-mail: e-sales@glvac.cn
Zip Code: 215333