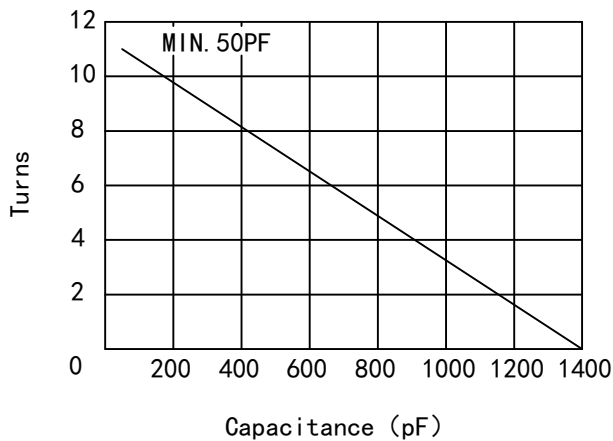
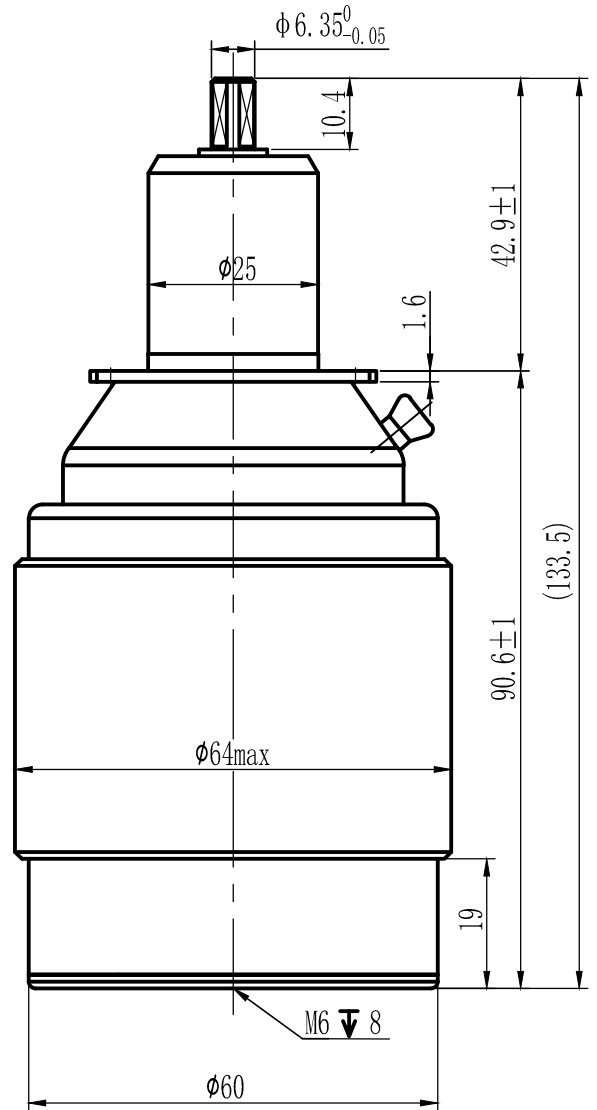


Data-Sheet-Variable Vacuum Capacitor CKTB1400/4/94N1

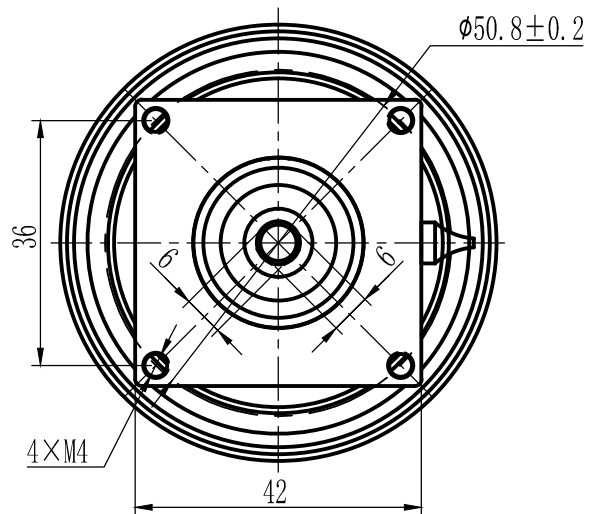
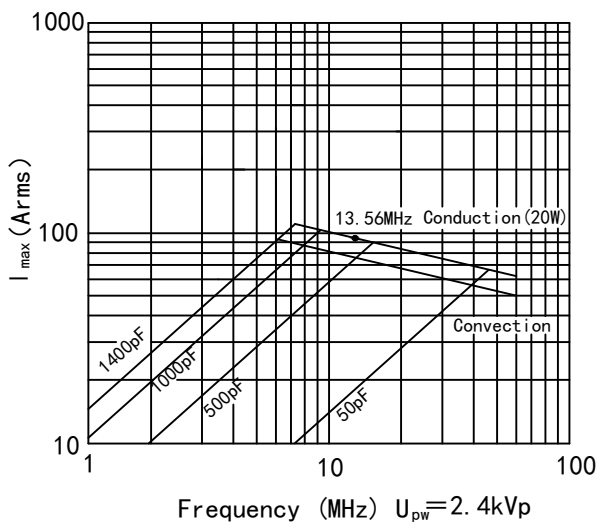


www.glvac.com

Specifications	
Capacity C_{max} (nominal)	1400pF
Capacity C_{min} (nominal)	50pF
Voltage (Peak Test U_{pt} /Peak Working U_{pw})	4kVp/2.4kVp
Capacity Tolerance (Linear Range)	$\pm 10\%$
Max. Current I_{max} at 13.56MHz with conduction cooling	94Arms
	20W
Tuner Turns	11.5 ± 0.5
Capacitance per turn	127pF/turn
Torque	$\leq 0.2 \text{ N} \cdot \text{m}$
Net Weight	0.75kg



I_{max} at 25°C ambient and 125 °C surface temp. for convection and conduction (20W) cooling



UNLESS OTHERWISE SPECIFIED:

≤ 30 : ± 0.5 $30 \sim 400$: ± 1.2 ≥ 400 : ± 2.5 \angle : $\pm 1^\circ$

Address: ST28 Xihu Road, Kunshan, Jiangsu Province, China
TEL: +86 (512) 36872110

Rev: 00

Web: www.glvac.com
FAX: +86 (512) 36872122

Page 1/1

Issue: 11-Oct-2022

E-mail: e-sales@glvac.cn
Zip Code: 215333