

Data-Sheet-Fixed Capacitor

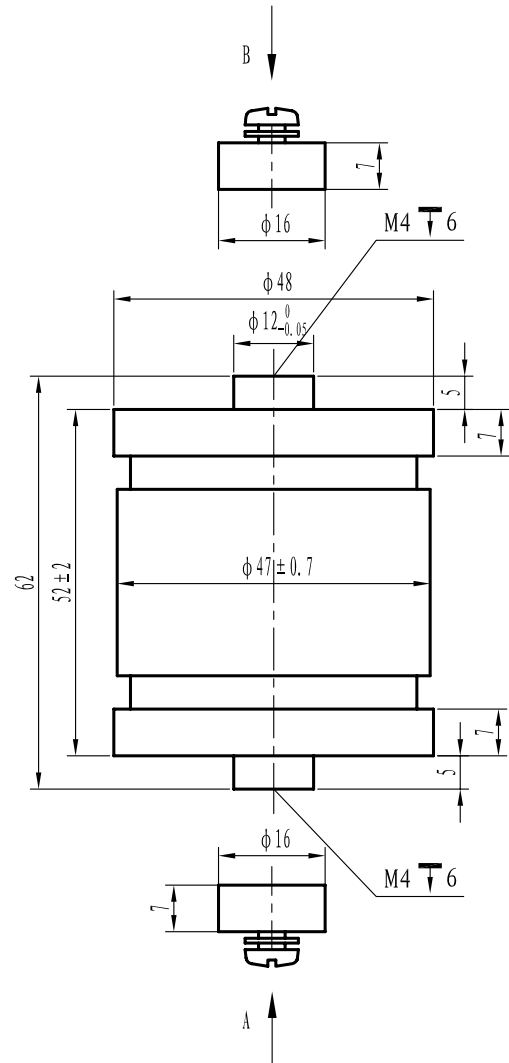
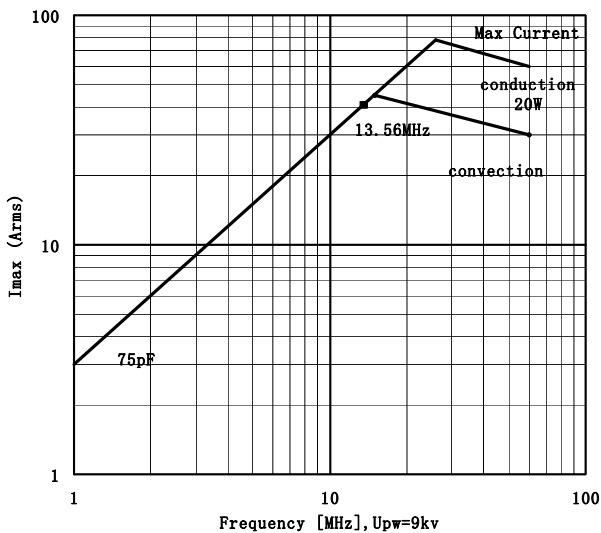
CKT75/10/41



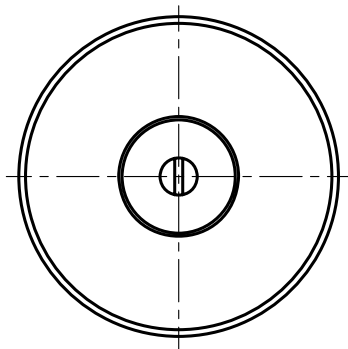
www.glvac.cn

Specification	
Capacity C_{max} (nominal)	75pF
Voltage (Peak Test U_{pt} /Peak Working U_{pw})	15kV/9kV
Capacity tolerance	$\pm 5\%$
Max. Current I_{max} at 13.56MHz with	41Arms
Conduction Cooling	20W
Net Weight	0.33kg

I_{max} at 25 °C ambient and 125 °C surface for convection and conduction (20w) cooling



VIEW A



VIEW B

